

# Sundance® Spas

## Hot Tub Specification Handbook



# Important Safety Instructions - All Models



©2021 Sundance® Spas, Inc. Sundance® Spas may make product modifications and enhancements. Therefore, specifications may change without notice. Dimensions are approximate and for reference only.



**CAUTION: Always measure each hot tub for exact dimensions before designing its foundational support and/or decking.**



When designing a foundational support, always account for the following load factors:

1. Filled hot tub weight, plus (+)
2. Combined occupant weight at maximum seating capacity, plus (+)
3. Weight of support decking, when applicable.



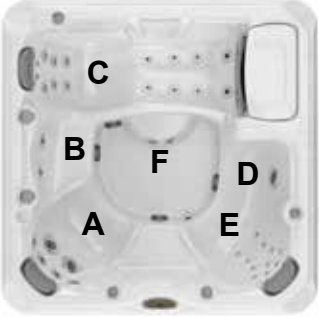
The technical data given in this publication is for reference purposes only. It implies no warranty of any kind.



Spa specifications, dimensions and operations are subject to change without notice.

# Sundance® Spas 780 Bristol™

## Specifications

|  |   |   |
|--|---|---|
| <b>Dimensions:</b> .....                     | 84" x 84" x 36" (213 cm x 213 cm x 91.44 cm)  |  |
| <b>Perimeter</b> .....                       | 336" (853.4 cm)   |   |
| <b>Seating Capacity:</b> .....               | 5 Adults  |   |
| <b>Dry Weight:</b> .....                     | 745 lbs (338 kg)  |   |
| <b>Filled Weight (Spa Volume):</b> .....     | 4,331 lbs (1,965 kg)  |   |
| <b>Filled Weight (Average Fill):</b> .....   | 3,664 lbs (1,662 kg)  |   |
| <b>Water Capacity (Spa Volume):</b> .....    | 430 US Gal (1,628 Liters)   |   |
| <b>Water Capacity (Average Fill):</b> .....  | 350 US Gal (1,325 Liters)   |   |
| <b>Controls:</b> .....                       | 780 Series Solid-State Electronic Controls with LCD Readout, Programmable Water Temperature, Filtration, and Heat Cycles  |   |
| <b>Water Delivery:</b> .....                 | 2 High Flow Pump  |   |
| <b>Pump 1:</b> .....                         | North America (60 Hz): 1-Speed/2.5 HP Continuous, 12.0A Max., 56 Frame<br><b>Export (50 Hz): 1-Speed/2.0 HP Continuous, 8.0A Max.</b>   |   |
| <b>Pump 2:</b> .....                         | North America (60 Hz): 1-Speed/2.5 HP Continuous, 11A Max., 56 Frame<br><b>Export (50 Hz): 1-Speed/2.0 HP Continuous, 7.0A Max.</b>   |   |
| <b>Pump 3:</b> .....                         | 8-Hour Filter/Circulation Pump; High Output Flow  |   |
| <b>Total Hydrojets:</b> .....                | <b>38</b>   |   |
| <b>Seat A Jets :</b> .....                   | 4 Mini Vortex, 2 Vortex   |   |
| <b>Seat B Jets:</b> .....                    | 2 Mini Vortex   |   |
| <b>Seat C Jets:</b> .....                    | 2 SMT Micro, 6 SMT Fluidix, 6 Adjustable Accu-Pressure, 2 Mini Vortex   |   |
| <b>Seat D Jets:</b> .....                    | 1 Vortex  |   |
| <b>Seat E Jets:</b> .....                    | 2 SMT Micro, 9 Accu-Pressure  |   |
| <b>Footwell Jets (F):</b> .....              | 2 Mini Vortex   |   |
| <b>Air Controls/Massage Selectors:</b> ..... | 3/2 Standard air control with LED lights  |   |
| <b>Filter:</b> .....                         | MicroClean® I Filtration System with Floating Weir, 125 ft² combined filtration, (1 pleated and 1 spun-bound cartridge)   |   |
| <b>Water Treatment:</b> .....                | 8-Hour Circulation Pump; Factory installed CLEARRAY® Active Oxygen System   |   |
| <b>Lighting:</b> .....                       | Standard Multi-Colored SunRay LED Light; 6 LED Pin Lights; Indicator light; Air controls  |   |
| <b>Synthetic Cabinet:</b> .....              | Available in Coastal, Mahogany, Autumn Walnut   |   |
| <b>Shell Colors:</b> .....                   | North America: Platinum, Celestite (Gypsum), Sahara, Monaco, Midnight, Porcelain<br><b>Export (50 Hz): All North America Colors</b>   |   |
| <b>Handrails:</b> .....                      | N/A   |   |
| <b>Headrests:</b> .....                      | Three, 1-Piece Gray   |   |
| <b>Heater:</b> .....                         | North America (60 Hz): 5.5 kW, High Flow<br><b>Export (50 Hz): High Flow, 2.7 kW</b>  |   |
| <b>Electrical Requirements:</b> .....        | North America (60 Hz): 240 VAC@40A, 50A, or 60A;<br><b>Export (50 Hz): 230-240 VAC@1x20A, 1x16A/1x20A, or 3x16A (see manual for more configurations); or Suitably Rated Circuit Breaker to Comply with Local Electrical Regulations. Certain Countries May Require Dual Power Inputs; Two GFCI/RCD Breakers are Required for This Configuration.</b>  |   |
| <b>Limited Warranty*:</b> .....              | North America (60 Hz): 10 Years Shell, 7 Years Shell Surface, 5 Years Plumbing Component Leaks, 5 Years Equipment and Controls, 5 Years Cabinet, 2 Years Jets, 2 Years Lights, 1 Year Stereo<br><b>Export (50 Hz): 10 Years Shell, 7 Years Shell Surface, 5 Years Plumbing Component Leaks, 5 Years Equipment and Controls, 5 Years Cabinet, 2 Years Jets, 2 Years Lights, 2 Years Stereo</b> |   |
| <b>Waterfall Feature:</b> .....              | On/Off Flow Rate on when circulation pump is running; Colored Lighting  |   |
| <b>Audio System (Optional):</b> .....        | Factory Installed BLUEWAVE® Spa Stereo System with an Auxiliary 3.5 mm headphone jack connection and Bluetooth® compatible  |   |
| <b>Special Features (Optional):</b> .....    | Factory Installed SmartTub™ module  |   |

\*(See Warranty Document for Specific Details)

Dimensions/Specifications Subject To Change Without Notice

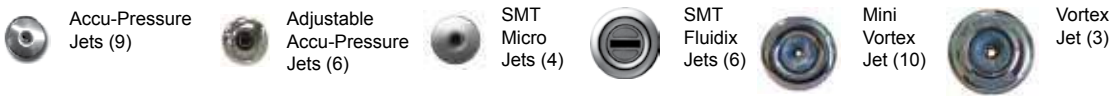
# Sundance Spas 780 Bristol

## Operation/Seat Depths



- (A)** Air Control - Activates Seat A Jets (2 Mini Vortex, 2 Vortex)
- (B)** Massage Selector [Pump 2]- Adjusts Massage Level Between Seat B Jets + Seat D Jet + Footwell Jets and Seat E Jets
- (C)** Massage Selector [Pump 1]- Adjusts Massage Level Between Seat C Jets and Seat A Jets
- (D)** Air Control - Seat C Jets (2 SMT Micro, 6 SMT Fluidix, 6 Adjustable Accu-Pressure, 2 Mini Vortex)
- (E)** Air Control - Activates Seat E Jets (2 SMT Micro, 9 Accu-Pressure) + Seat D Jets (2 Vortex) + Seat D Jets (2 Vortex) + Footwell Jets (2 Mini Vortex)
- (F)** Waterfall Selector [8-Hour Circ. Pump]- Controls Waterfall Output

### 38 Total Jets (Stainless Steel Escutcheons Standard)



Spa Operation Subject To Change Without Notice

## SEAT DEPTHS

**A = 27.00" (68.58 cm)**  
**B = 19.50" (49.53 cm)**  
**C = 25.25" (64.14 cm)**  
**D = 26.25" (66.68 cm)**

**E = 27.50" (69.85 cm)**  
**F = 18.25" (46.36 cm)**  
**G = 32.70" (83.06 cm)**

Listed dimensions represent distance from top of acrylic to lowest point in seat. **Tolerance ± 0.5" (1.27 cm).**

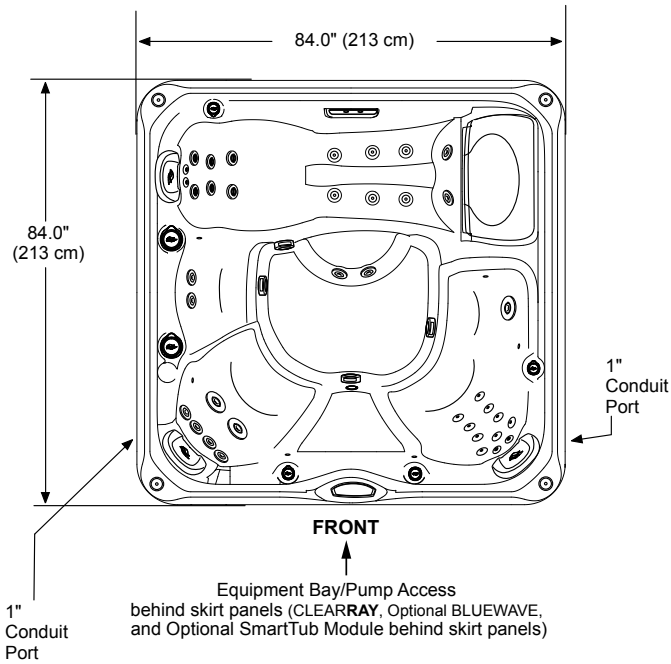


Dimensions/Specifications Subject To Change Without Notice

# Sundance Spas 780 Bristol

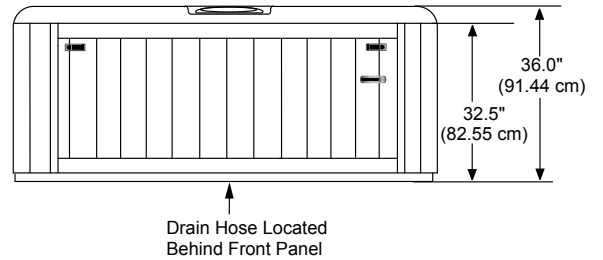
## Portable Dimensions

**TOP VIEW**



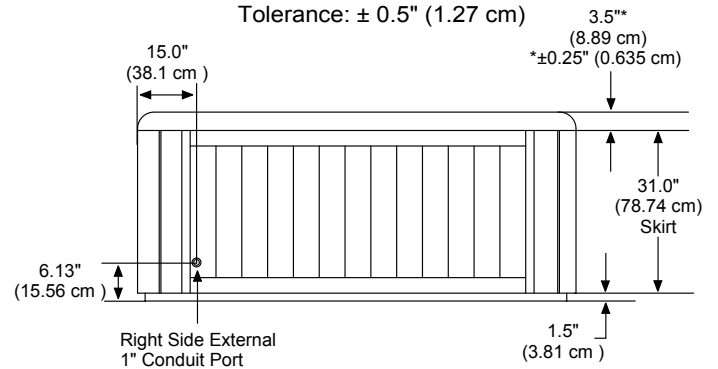
**FRONT/BACK VIEW**

Tolerance:  $\pm 0.5"$  (1.27 cm)

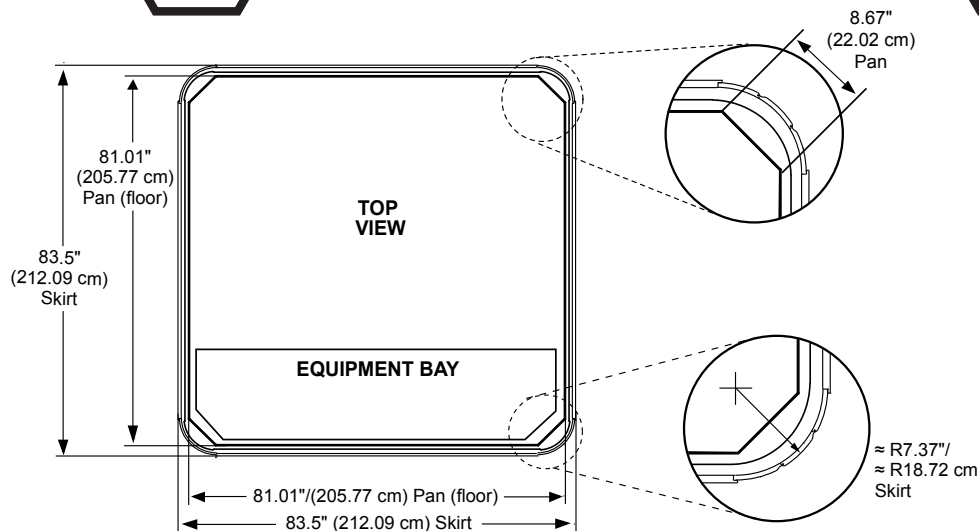


**RIGHT SIDE VIEW**

Tolerance:  $\pm 0.5"$  (1.27 cm)



**IMPORTANT! Always measure each hot tub for exact dimensions BEFORE designing its foundational support and/or decking.**



Dimensions/specifications subject to change without notice. Tolerance:  $\pm 0.5"$  (1.27 cm)

Dimensions/Specifications Subject To Change Without Notice